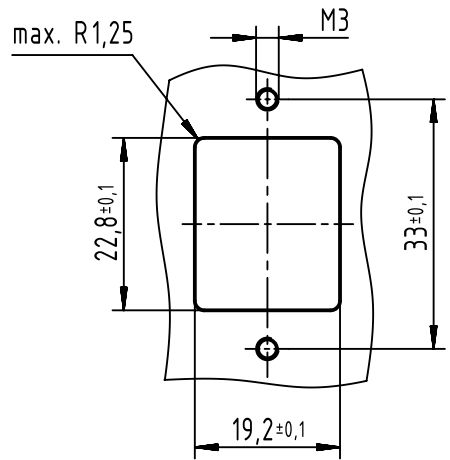
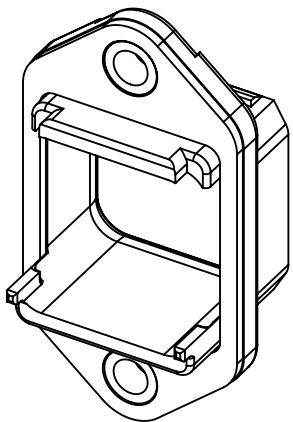
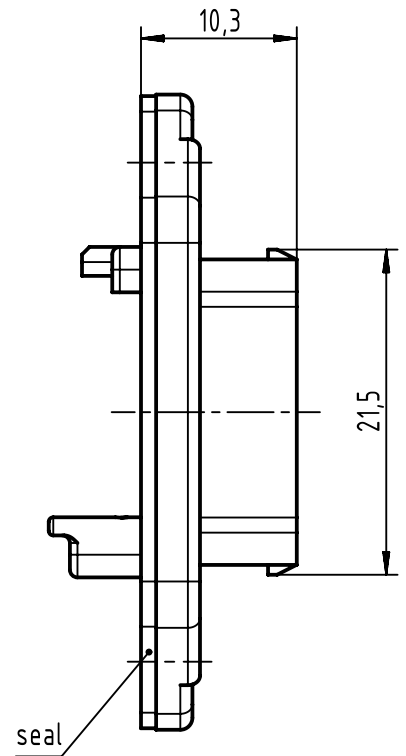
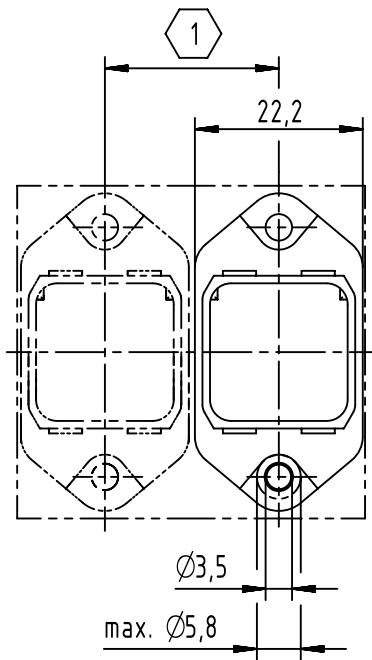


(1:1)
panel cut out



(1:1)



1 min. 23 using Han PushPull housings with SW19
min. 27 using Han PushPull housings with SW24

| | | | | | | | |
|---|--|--|---------------------------|-----------------------------|--------------------|---|--|
| | All rights reserved Department EC PD - DE | All Dimensions in mm Original Size DIN A4 | | Scale 2:1 | Free size tol. | Ref. Sub. TB 09 35 002 0323 / 35946 / 10.12.2009 | |
| | | Created by HAGEMEYERE | Inspected by ELLERMANN | Standardisation SCHREIER | Date 2015-10-12 | State Final Release | |
| HARTING Electronics GmbH D-32339 Espelkamp | | Title Han PP V14 SCRJ Power housing plastic | | | | Doc-Key / ECM-Nr. 100130317/UGD/003/B 500000094.365 | |
| | | Type TB | Number 09350020323 | | Rev. B | Page 1/1 | |